



6300 SERIES IDC SOCKET "POLARIZED"

FEATURES:

MILITARY TYPE POLARIZATION

SIZES - 10 THROUGH 50 POSITIONS

"BARBED" CONTACTS
FOR IMPROVED COVER RETENTION.

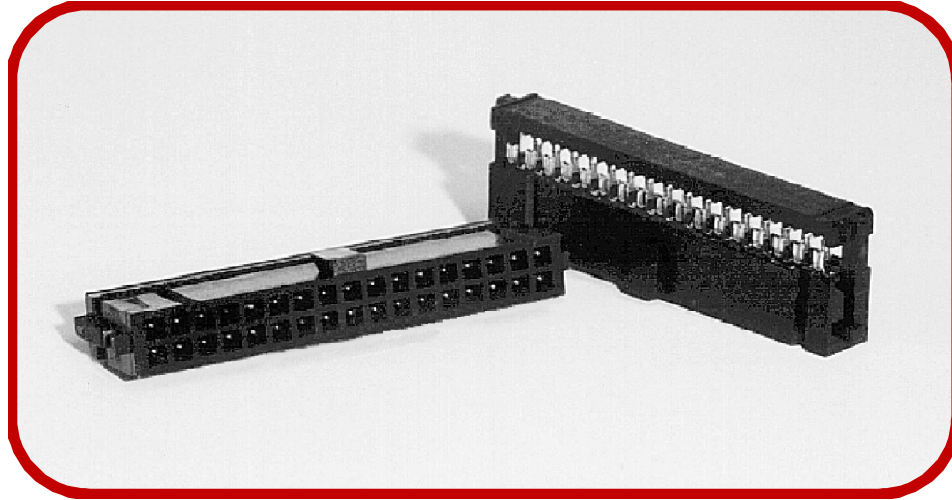
"TUNING FORK" TYPE CONTACT
FOR HIGHLY RELIABLE CONNECTIONS
DURING SHOCK AND VIBRATION

ACCEPTS 28 AWG .050 PITCH,
SOLID OR STRANDED CONDUCTOR
RIBBON CABLE

ACCEPTS STRAIN RELIEFS IN EITHER
STANDARD OR WITH LATCHES,
(FOR LOCKING TO SHROUDED HEADERS)

STANDARD PLATINGS=
GOLD FLASH, 5 μ GOLD AND 15 μ GOLD
NON-STANDARD PLATINGS ARE AVAILABLE, CONSULT FACTORY.

ACCEPTS 6300-0145 KEYING PLUG, WHICH CAN ALSO BE MOLDED IN
CONSULT FACTORY FOR ORDERING INFORMATION



SPECIFICATIONS:

MATERIALS & PLATING:

CONTACT:	PHOSPHOR BRONZE
BODY & COVER:	30% GLASS FILLED POLYESTER, UL 94V-0, BLACK
PLATING:	SELECTIVE GOLD AND TIN/LEAD OVER 50 μ MIN. NICKEL

MECHANICAL:

INSERTION FORCE:	10 OZ. (283.5 GRAMS) MAX.
SEPARATION FORCE:	2 OZ. (56.8 GRAMS) MIN.

ELECTRICAL:

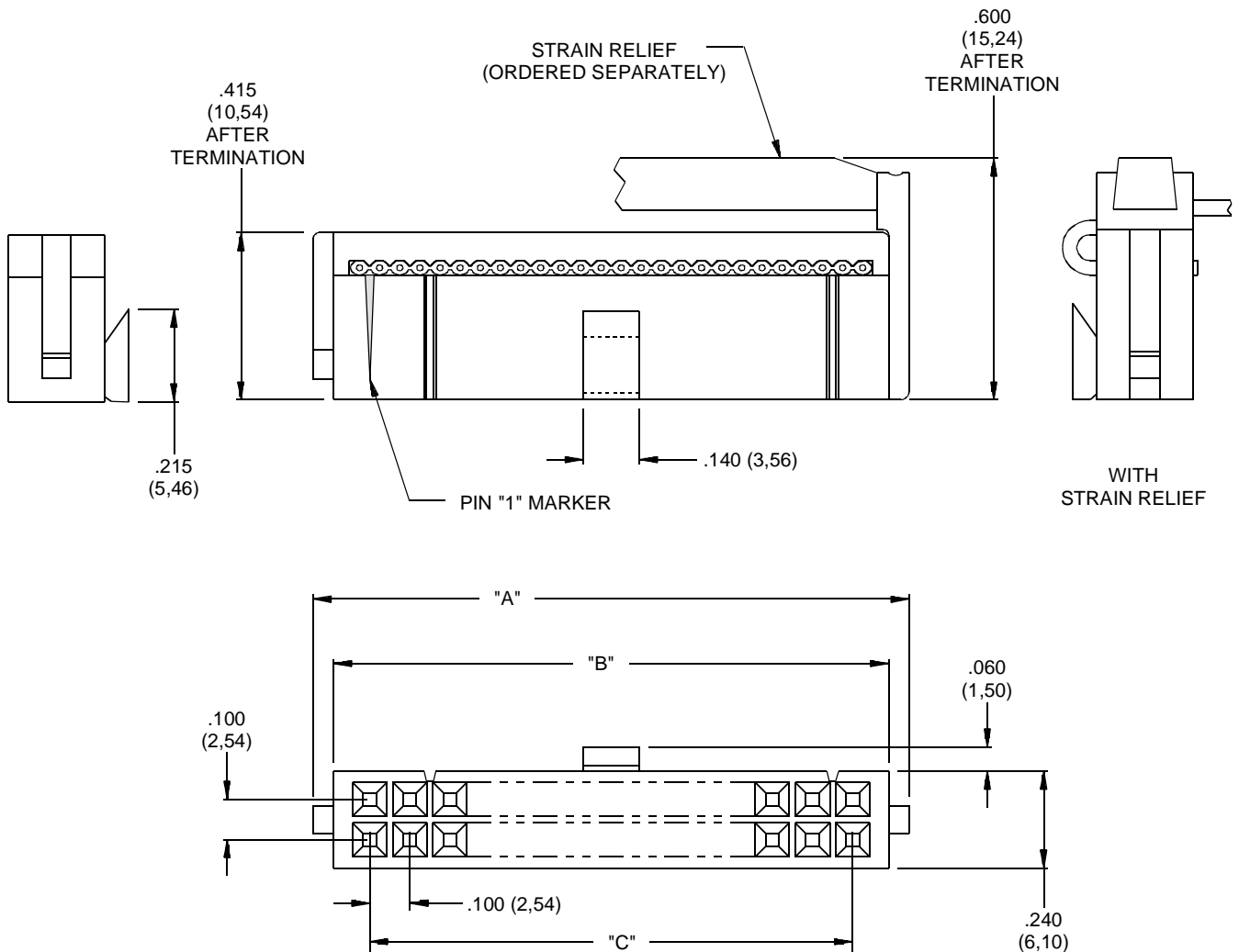
CURRENT RATING:	1 AMPERE
CONTACT RESISTANCE:	10 MILLIOHMS MAX. (INITIAL) 10 MILLIOHMS MAX INCREASE DURING LIFE
VOLTAGE:	500 VAC
INSULATION RESISTANCE:	10,000 MEGOHMS MIN.
DIELECTRIC WITHSTANDING VOLTAGE:	500 VAC

ENVIRONMENTAL:

TEMPERATURE RATING:	-55°C TO +105°C
---------------------	-----------------

19571 Pauling, Foothill Ranch, CA 92610-2606 949-951-1020 tel 949-951-8265 fax
www.rapidconn.com

6300 SERIES IDC SOCKET "POLARIZED"



Part Numbers				Dimensions					
Size	5μ Gold	15μ Gold	30μ Gold	"A" DIM		"B" DIM		"C" DIM	
10	6300-8002	6300-8050	6300-8098	.680	(17.27)	.580	(14.73)	.400	(10.16)
14	6300-8006	6300-8054	6300-8102	.880	(22.35)	.780	(19.81)	.600	(15.24)
16	6300-8010	6300-8058	6300-8106	.980	(24.89)	.880	(22.35)	.700	(17.78)
20	6300-8014	6300-8062	6300-8110	1.180	(29.97)	1.080	(27.43)	.900	(22.86)
26	6300-8022	6300-8070	6300-8118	1.480	(37.59)	1.380	(35.05)	1.200	(30.48)
34	6300-8031	6300-8078	6300-8126	1.880	(47.75)	1.780	(45.21)	1.600	(40.64)
40	6300-8035	6300-8082	6300-8130	2.180	(55.37)	2.080	(52.83)	1.900	(48.26)
50	6300-8039	6300-8086	6300-8134	2.680	(68.07)	2.580	(65.53)	2.400	(60.96)
60	6300-8043	6300-8090	6300-8138	3.180	(80.77)	3.080	(78.23)	2.900	(73.66)

19571 Pauling, Foothill Ranch, CA 92610-2606 949-951-1020 tel 949-951-8265 fax
www.rapidconn.com