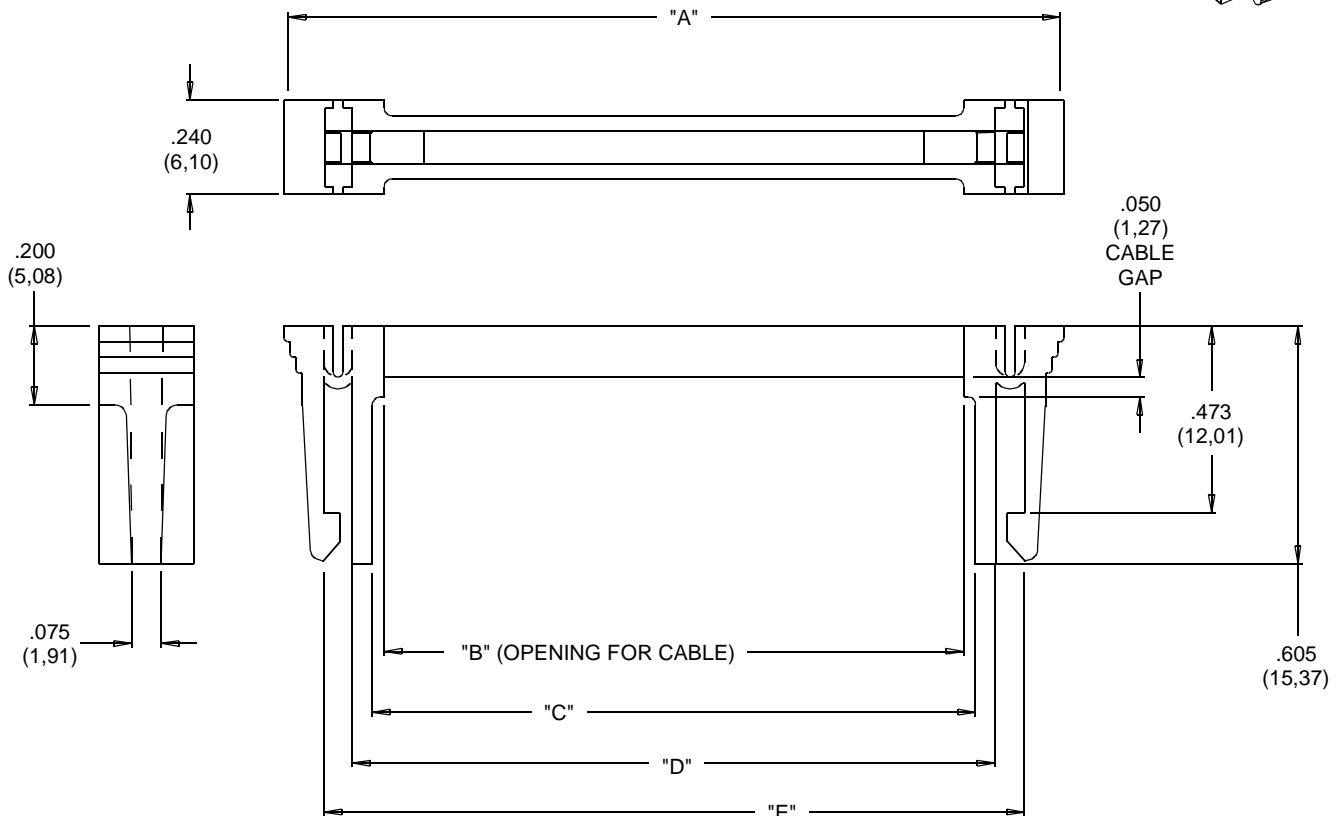
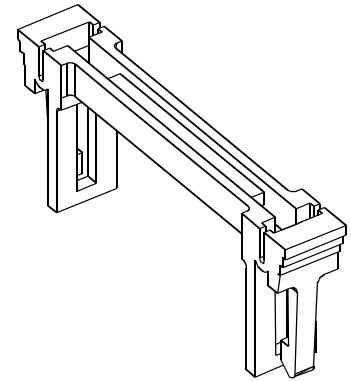


6300 SERIES "LATCHING" STRAIN RELIEF FOR IDC SOCKETS



THESE STRAIN RELIEFS PROVIDES AN EXTRA MEASURE OF CABLE RETENTION SAFETY FOR THOSE APPLICATIONS WHERE THE TENDANCY IS TO UNMATE BY PULLING ON THE CABLE AND NOT THE CONNECTOR. IT HAS THE ADDED FEATURE OF "LATCHES" WHICH CLIP ONTO THE SHROUDED PCB HEADER TO PREVENT ACCIDENTAL UNMATING OF THE CABLE HARNESS.

THE STRAIN RELIEF IS MADE FROM A BLACK GLASS FILLED POLYESTER (PBT) MATERIAL THAT MEETS THE FLAMMABILITY REQUIREMENTS OF UL 94V-0. IN ADDITION, IT WILL WITHSTAND THE SAME ENVIRONMENTAL CONDITIONS AS THE 6300 SERIES IDC CONNECTORS.



Size	Part Number	Dimensions									
		"A" DIM		"B" DIM		"C" DIM		"D" DIM		"E" DIM	
10	6300-5101	1.018	(25.86)	.520	(13.21)	.580	(14.73)	.672	(17.07)	.824	(20.93)
16	6300-5103	1.318	(33.48)	.820	(20.83)	.880	(22.35)	.972	(24.69)	1.124	(28.55)
20	6300-5104	1.518	(38.56)	1.020	(25.91)	1.080	(27.43)	1.172	(29.77)	1.324	(33.63)
26	6300-5105	1.818	(46.18)	1.320	(33.53)	1.380	(35.05)	1.472	(37.39)	1.624	(41.25)
34	6300-5106	2.218	(56.34)	1.720	(43.69)	1.780	(45.21)	1.872	(47.55)	2.024	(51.41)
40	6300-5107	2.518	(63.96)	2.020	(51.31)	2.080	(52.83)	2.172	(55.17)	2.324	(59.03)
50	6300-5108	3.018	(76.66)	2.520	(64.01)	2.580	(65.53)	2.672	(67.87)	2.824	(71.73)

19571 Pauling, Foothill Ranch, CA 92610-2606 949-951-1020 tel 949-951-8265 fax
www.rapidconn.com