

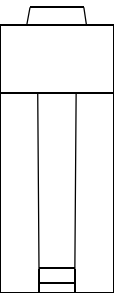
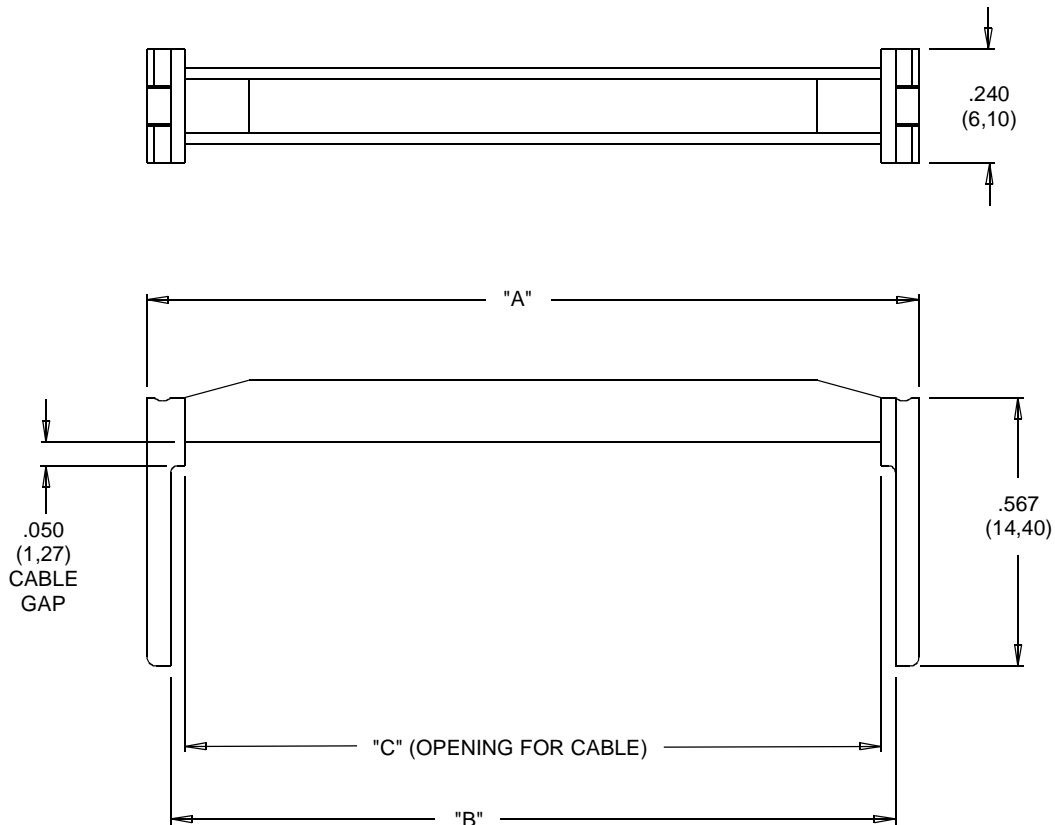
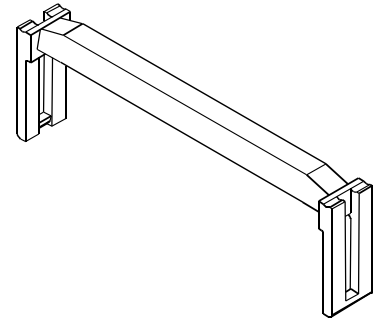


6300 SERIES STRAIN RELIEF FOR IDC SOCKETS

THIS STRAIN RELIEF PROVIDES AN EXTRA MEASURE OF CABLE RETENTION SAFETY FOR THOSE APPLICATIONS WHERE THE TENDANCY IS TO PULL ON THE CABLE AND NOT THE CONNECTOR.

THE STRAIN RELIEF IS MADE FROM A BLACK GLASS FILLED POLYESTER MATERIAL THAT MEETS UL 94V-0.

IT WILL WITHSTAND THE SAME ENVIRONMENTAL CONDITIONS AS THE 6300 SERIES IDC CONNECTORS



Size	Part Number	Dimensions					
		"A" DIM		"B" DIM		"C" DIM	
10	6300-0146	.680	(17.27)	.580	(14.73)	.520	(13.21)
16	6300-0148	.980	(24.89)	.880	(22.35)	.820	(20.83)
20	6300-0149	1.180	(29.97)	1.080	(27.43)	1.020	(25.91)
26	6300-0151	1.480	(37.59)	1.380	(35.05)	1.320	(33.53)
34	6300-0153	1.880	(47.75)	1.780	(45.21)	1.720	(43.69)
40	6300-0154	2.180	(55.37)	2.080	(52.83)	2.020	(51.31)
50	6300-0155	2.680	(68.07)	2.580	(65.53)	2.520	(64.01)

19571 Pauling, Foothill Ranch, CA 92610-2606 949-951-1020 tel 949-951-8265 fax
www.rapidconn.com