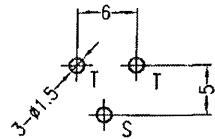
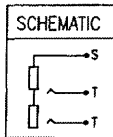
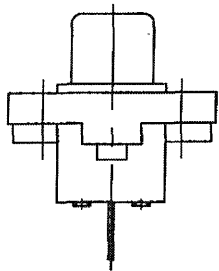
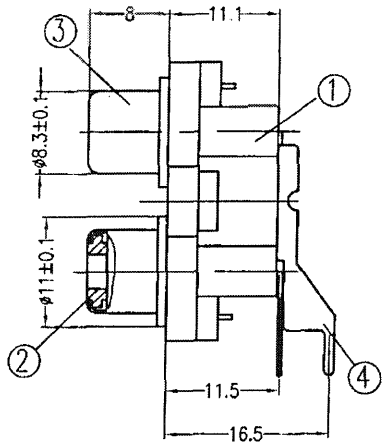
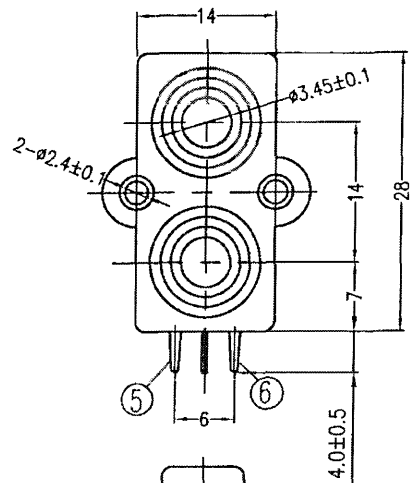


REV.	REF.	DESCRIPTION					DATE
P1	2006-146	PROPOSED DWG					03/14/2006



T:1.6 Dimensions of PC board holes
Tolerance : ±0.1(Printed-side view)

NOTES:

1. MATERIAL:

- 1.1 INSULATOR: ABS, UL94HB
- 1.2 CONTACTS: BRASS OR PHOSPHOR BRONZE, PLATING SEE BOM
- 1.3 ALL COMPONENTS ARE RoHS COMPLIANT

2. UNLESS OTHERWISE SPECIFIED, TOLERANCE ON DECIMAL: ±0.3

3. PACKING:

- 3.1 SHIPPING CARTON WILL HAVE CUSTOMER PART NUMBER

LTR	PART NAME	QTY	MATERIAL	REMARK
6	TERMINAL-2	1	BRASS	TIN PLATED
5	TERMINAL-1	1	BRASS	TIN PLATED
4	EARTH TERMINAL	1	BRASS	TIN PLATED
3	OUTER CONTACT	2	BRASS	NICKEL PLATED
2	WASHER	2	ABS	UL-94HB
1	HOUSING	1	ABS	UL-94HB

THESE DRAWINGS AND SPECIFICATION ARE THE PROPERTY OF RAPID CONN INC. AND SHALL NOT BE REPRODUCED, COPIED OR USED IN ANY MANNER WITHOUT THE PRIOR WRITTEN CONSENT OF RAPID CONN INC.

	SIGNATURE	DATE	DESCRIPTION :
DRN.	ANNIE AI	03/14/2006	RCA DUAL JACK PC MOUNT
CHK.	Frank	3/14/06	RAPIDCONN P/N: CUSTOMER P/N :
APP.	ZL	3-14-06	RC-306-046 N/A

CODE NO.	N/A	X±0.5	X±3.0
CUS. NO.	N/A	.X±0.3	.X±2.0
MATERIAL	N/A	.XX±0.10	.XX±1.00
		.XXX±0.050	.XXX±0.500

SCALE	UNIT	PAGE
FREE	MM	1/1



DWG NO. RC-306-046