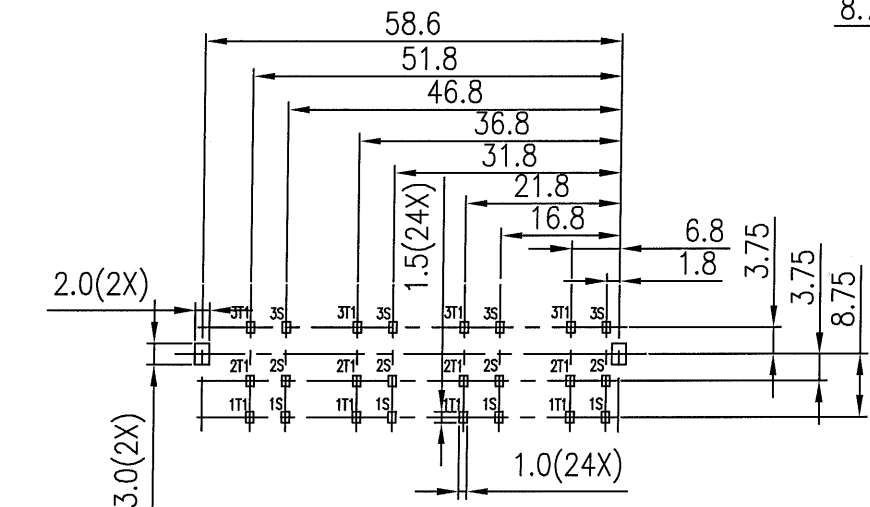
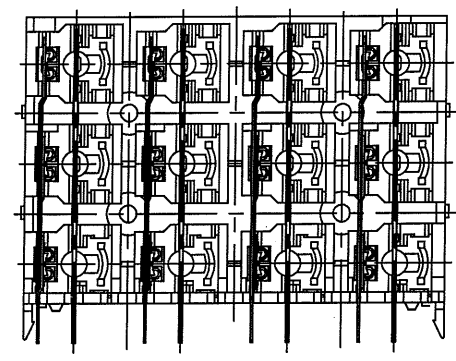
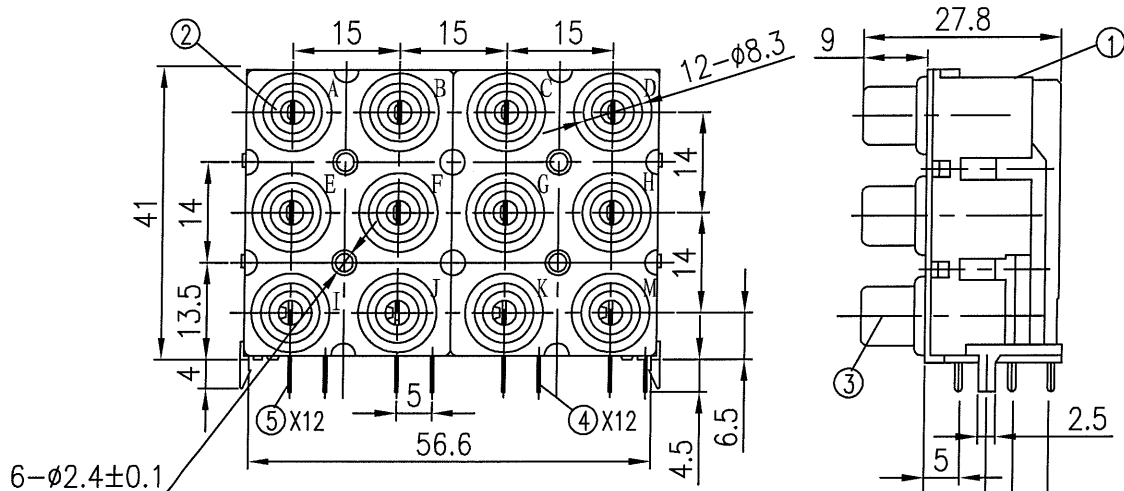


REV.	REF.	DESCRIPTION						DATE
P1	TAB	PROPOSED DWG						12/05/2005



T:1.6 Dimensions of PC board holes
Tolerance : ±0.1(Printed-bottom view)

SCHEMATIC				COLOR
A	B	C	D	GREEN
E	F	G	H	BLUE
I	J	K	M	RED

- NOTES:
- MATERIAL:
 - 1.1 INSULATOR: ABS, UL94HB
 - 1.2 CONTACTS: BRASS OR PHOSPHOR BRONZE, PLATING SEE BOM
 - 1.3 ALL COMPONENTS ARE RoHS COMPLIANT
 - UNLESS OTHERWISE SPECIFIED, TOLERANCE ON DECIMAL: ±0.3
 - PACKING:
 - 3.1 SHIPPING CARTON WILL HAVE CUSTOMER PART NUMBER

RC12-16A-XX

TERMINAL	0 BRASS	1 PHOSPHOR BRONZE
	PLATING	
	0 SILVER	1 TIN

TABLE 1

5	TERMINAL	12	SEE TABLE 1	SEE TABLE 1
4	EARTH TERMINAL	12	SEE TABLE 1	SEE TABLE 1
3	OUTER CONTACT	12	SEE TABLE 1	NICKEL PLATED
2	WASHER	12	ABS	UL-94HB
1	HOUSING	1	ABS	UL-94HB
LTR	PART NAME	QTY	MATERIAL	REMARK

THESE DRAWINGS AND SPECIFICATION ARE THE PROPERTY OF RAPID CONN INC. AND SHALL NOT BE REPRODUCED, COPIED OR USED IN ANY MANNER WITHOUT THE PRIOR WRITTEN CONSENT OF RAPID CONN INC.

SIGNATURE	DATE	DESCRIPTION :
DRN. BILL	12/05/2005	RCA TRIPLE JACK
CHK. Frank	12/12/05	RAPIDCONN P/N:
APP. JL	12-13-05	CUSTOMER P/N :
		RC12-16A-XX N/A

CODE NO.	N/A	X±0.5	X±3.0
CUS. NO.	N/A	.X±0.3	.X±2.0
MATERIAL	N/A	.XX±0.10	.XX±1.00
		.XXX±0.050	.XXX±0.500
SCALE	UNIT	PAGE	
FREE	MM	1/1	



DWG NO. RC-1205-001A