

1	2	3	4	5	6	7	8	
REV.	REF.	DESCRIPTION					DATE	
A	2006-256	RELEASE NEW DRAWING FOR PRODUCTION					04/10/2005	

NOTES:

1. MATERIAL:

- 1.1 INSULATION: PBT, UL94V-0, WHITE
- 1.2 WASHER: PBT, UL94V-0, BLACK
- 1.3 CONTACT: MATERIAL SEE "BOM", TIN PLATED
- 1.4 BRACKET: SPCC, TIN PLATED
- 1.5 ALL COMPONENTS ARE RoHS COMPLIANT

2. MECHANICAL:

- 2.1 INSERTION FORCE: 29.4N MAX.
- 2.2 WITHDRAWAL FORCE: 0.98N TO 29.4N

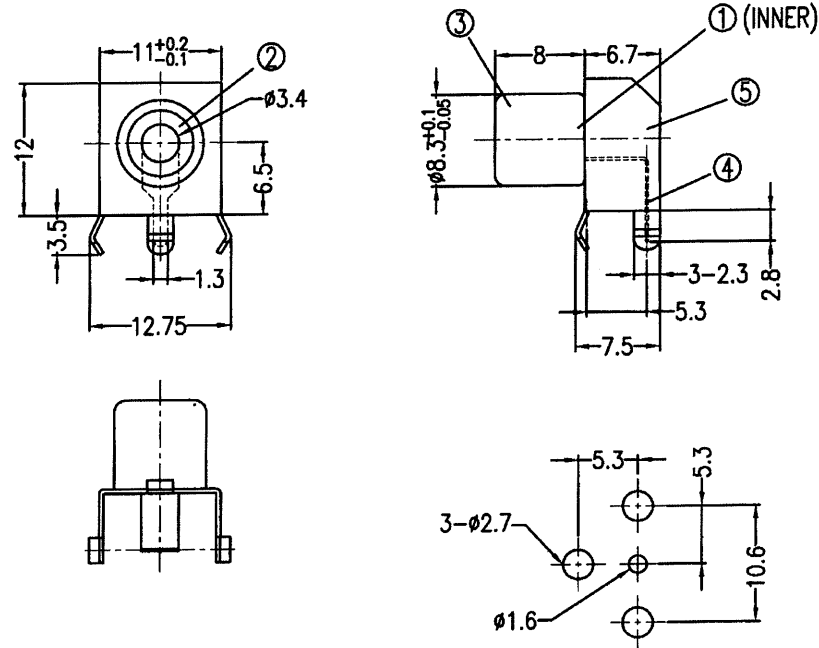
3. ELECTRICAL:

- 3.1 RATED VOLTAGE/RATED CURRENT: DC34V 2A
- 3.2 INSULATION RESISTANCE: 100 MEGOHMS MIN.
- 3.3 CONTACT RESISTANCE: 30 MILLIOHMS MAX.
- 3.4 DIELECTRIC STRENGTH: 500V AC r.m.s FOR 1 MINUTE
- 3.5 OPERATING TEMPERATURE RANGE: -25°C TO 70°C

4. UNLESS OTHERWISE SPECIFIED, TOLERANCE ON DECIMAL: ±0.3

5. PACKING:

- 5.1 SHIPPING CARTON WILL HAVE CUSTOMER PART NUMBER



T:1.6 Dimensions of PC board holes
Tolerance : ±0.1(Printed-side view)

5	BRACKET	1	SPCC T=0.4	TIN PLATED
4	CENTER CONTACT	1	PHOSPHOR BRONZE (C5191 T=0.25)	TIN PLATED
3	OUT CONTACT	1	BRASS (C2680 T=0.4)	TIN PLATED
2	WASHER	1	PBT	UL94V-0
1	INSULATION	1	PBT	UL94V-0
LTR	PART NAME	QTY	MATERIAL	REMARK

THESE DRAWINGS AND SPECIFICATION ARE THE PROPERTY OF RAPID CONN INC. AND SHALL NOT BE REPRODUCED, COPIED OR USED IN ANY MANNER WITHOUT THE PRIOR WRITTEN CONSENT OF RAPID CONN INC.

	SIGNATURE	DATE	DESCRIPTION :	
DRN.	ANNIE AI	04/10/2005	RCA JACK	
CHK.	<i>Oceanzhou</i>	<i>04/11/2005</i>	RAPIDCONN P/N:	CUSTOMER P/N :
APP.	<i>FL</i>	<i>5-11-06</i>	RC-39	N/A

CODE NO.	N/A	X±0.5	X±3.0'
CUS. NO.	N/A	.X±0.3	X±2.0'
MATERIAL	N/A	.XX±0.10	.XX±1.00'
		.XXX±0.050	.XXX±0.500'
	SCALE	UNIT	PAGE
	FREE	MM	1/1



DWG NO.	RC-39
---------	-------