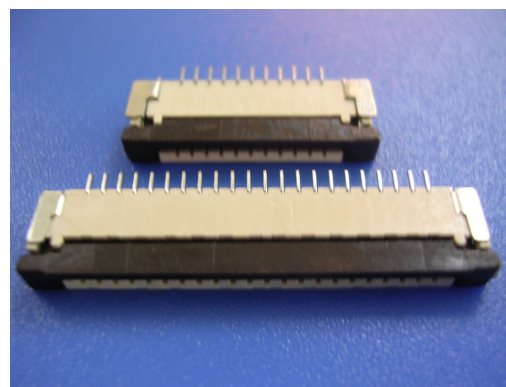
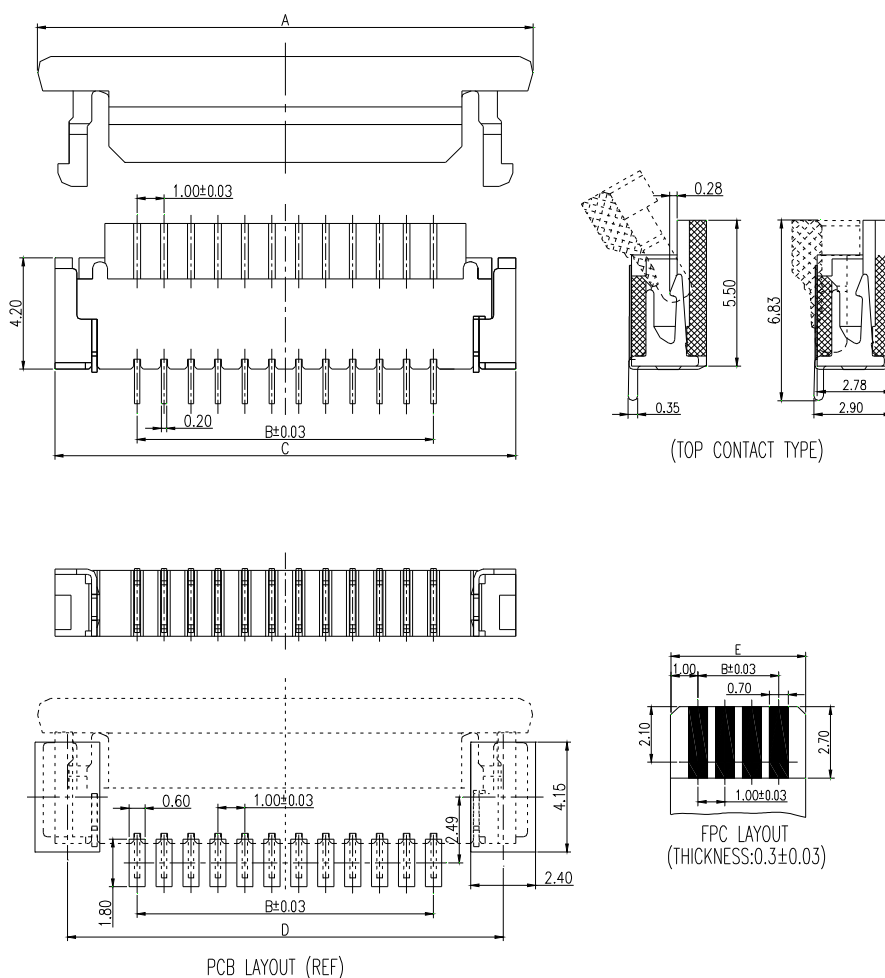


1. Material
 - 1.1 Housing: LCP E130i Natural color, UL94V-0
 - 1.2 Clip: PPS Brown color, UL94V-0
 - 1.3 Contact: Phosphor Bronze, Tin plated
 - 1.4 All above are Lead Free
2. Electronic
 - 2.1 Voltage Rating: 50V (DC)
 - 2.2 Current Rating: 0.5Amps
 - 2.3 Insulation Resistance: 100M ohms Min.
3. Environment
 - 3.1 Temperature: -20°C to +85°C



4. Product Drawing:



	A	B	C	D	E
03P	9.40	2.00	8.10	7.17	3.80
04P	10.40	3.00	9.10	8.17	4.80
05P	11.40	4.00	10.10	9.17	5.80
06P	12.40	5.00	11.10	10.17	6.80
07P	13.40	6.00	12.10	11.17	7.80
08P	14.40	7.00	13.10	12.17	8.80
09P	15.40	8.00	14.10	13.17	9.80
10P	16.40	9.00	15.10	14.17	10.80
11P	17.40	10.00	16.10	15.17	11.80
12P	18.40	11.00	17.10	16.17	12.80
13P	19.40	12.00	18.10	17.17	13.80
14P	20.40	13.00	19.10	18.17	14.80
15P	21.40	14.00	20.10	19.17	15.80
16P	22.40	15.00	21.10	20.17	16.80
17P	23.40	16.00	22.10	21.17	17.80
18P	24.40	17.00	23.10	22.17	18.80
19P	25.40	18.00	24.10	23.17	19.80
20P	26.40	19.00	25.10	24.17	20.80
21P	27.40	20.00	26.10	25.17	21.80
22P	28.40	21.00	27.10	26.17	22.80
23P	29.40	22.00	28.10	27.17	23.80
24P	30.40	23.00	29.10	28.17	24.80
25P	31.40	24.00	30.10	29.17	25.80
26P	32.40	25.00	31.10	30.17	26.80
27P	33.40	26.00	32.10	31.17	27.80
28P	34.40	27.00	33.10	32.17	28.80
29P	35.40	28.00	34.10	33.17	29.80
30P	36.40	29.00	35.10	34.17	30.80
31P	37.40	30.00	36.10	35.17	31.80
32P	38.40	31.00	37.10	36.17	32.80
33P	39.40	32.00	38.10	37.17	33.80
34P	40.40	33.00	39.10	38.17	34.80
35P	41.40	34.00	40.10	39.17	35.80
36P	42.40	35.00	41.10	40.17	36.80
37P	43.40	36.00	42.10	41.17	37.80
38P	44.40	37.00	43.10	42.17	38.80
39P	45.40	38.00	44.10	43.17	39.80
40P	46.40	39.00	45.10	44.17	40.80
41P	47.40	40.00	46.10	45.17	41.80
42P	48.40	41.00	47.10	46.17	42.80
43P	49.40	42.00	48.10	47.17	43.80
44P	50.40	43.00	49.10	48.17	44.80
45P	51.40	44.00	50.10	49.17	45.80
46P	52.40	45.00	51.10	50.17	46.80
47P	53.40	46.00	52.10	51.17	47.80
48P	54.40	47.00	53.10	52.17	48.80
49P	55.40	48.00	54.10	53.17	49.80
50P	56.40	49.00	55.10	54.17	50.80

5. Ordering Information:

Part Number: FPC-1.0T-XX-H
 1 2 3

- Note: 1. T=Top contact style
 2. XX=Number of pins, and from 3pin to 50pin are available.
 3. H=Horizontal