

# FPC 0.5mm Pitch Right Side Contact SMT

## 16. Material

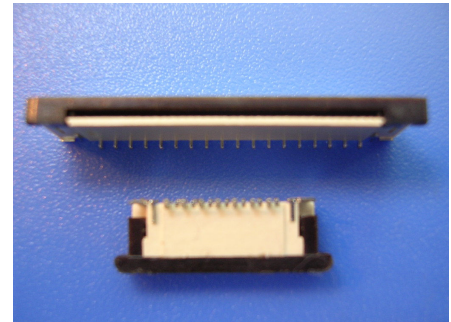
- 16.1 Housing: LCP E130i Natural color, UL94V-0
- 16.2 Clip: PPS Brown color, UL94V-0
- 16.3 Contact: Phosphor Bronze, Tin plated
- 16.4 All above are Lead Free

## 17. Electronic

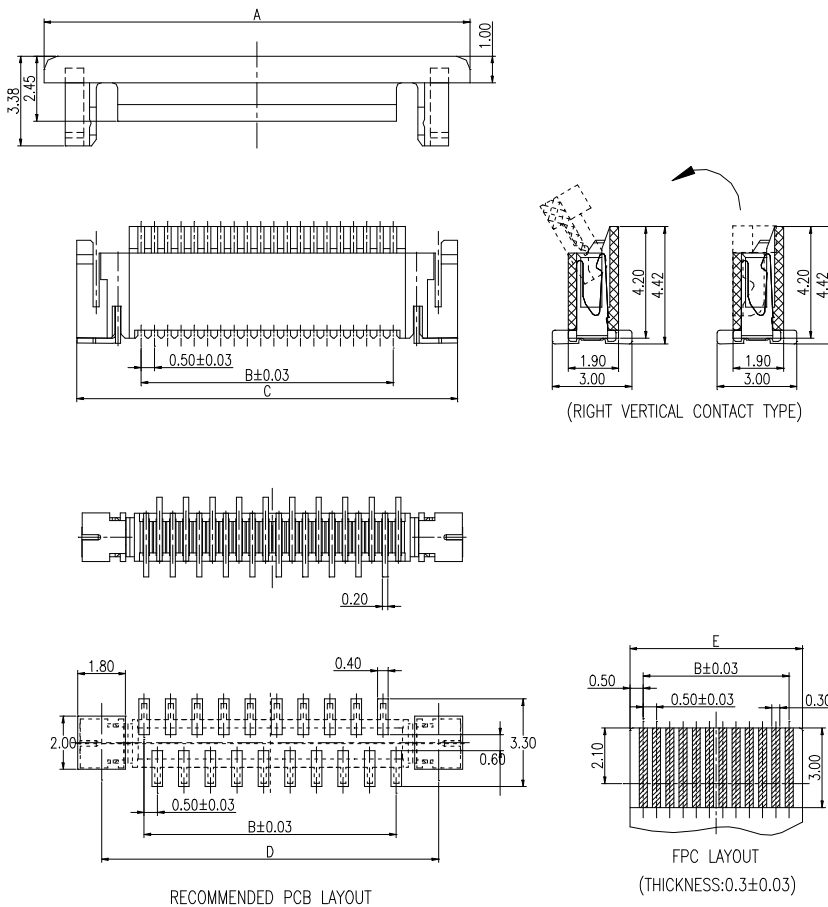
- 17.1 Voltage Rating: 50V (DC)
- 17.2 Current Rating: 0.5Amps
- 17.3 Insulation Resistance: 100M ohms Min.

## 18. Environment

- 3.1 Temperature: -20°C to +85°C



## 19. Product Drawing:



	A	B	C	D	E
3P	7.55	1.00	5.85	4.20	2.00
4P	8.05	1.50	6.35	4.70	2.50
5P	8.55	2.00	6.85	5.20	3.00
6P	9.05	2.50	7.35	5.70	3.50
7P	9.55	3.00	7.85	6.20	4.00
8P	10.05	3.50	8.35	6.70	4.50
9P	10.55	4.00	8.85	7.20	5.00
10P	11.05	4.50	9.35	7.70	5.50
11P	11.55	5.00	9.85	8.20	6.00
12P	12.05	5.50	10.35	8.70	6.50
13P	12.55	6.00	10.85	9.20	7.00
14P	13.05	6.50	11.35	9.70	7.50
15P	13.55	7.00	11.85	10.20	8.00
16P	14.05	7.50	12.35	10.70	8.50
17P	14.55	8.00	12.85	11.20	9.00
18P	15.05	8.50	13.35	11.70	9.50
19P	15.55	9.00	13.85	12.20	10.00
20P	16.05	9.50	14.35	12.70	10.50
21P	16.55	10.00	14.85	13.20	11.00
22P	17.05	10.50	15.35	13.70	11.50
23P	17.55	11.00	15.85	14.20	12.00
24P	18.05	11.50	16.35	14.70	12.50
25P	18.55	12.00	16.85	15.20	13.00
26P	19.05	12.50	17.35	15.70	13.50
27P	19.55	13.00	17.85	16.20	14.00
28P	20.05	13.50	18.35	16.70	14.50
29P	20.55	14.00	18.85	17.20	15.00
30P	21.05	14.50	19.35	17.70	15.50
31P	21.55	15.00	19.85	18.20	16.00
32P	22.05	15.50	20.35	18.70	16.50
33P	22.55	16.00	20.85	19.20	17.00
34P	23.05	16.50	21.35	19.70	17.50
35P	23.55	17.00	21.85	20.20	18.00
36P	24.05	17.50	22.35	20.70	18.50
37P	24.55	18.00	22.85	21.20	19.00
38P	25.05	18.50	23.35	21.70	19.50
39P	25.55	19.00	23.85	22.20	20.00
40P	26.05	19.50	24.35	22.70	20.50
41P	26.55	20.00	24.85	23.20	21.00
42P	27.05	20.50	25.35	23.70	21.50
43P	27.55	21.00	25.85	24.20	22.00
44P	28.05	21.50	26.35	24.70	22.50
45P	28.55	22.00	26.85	25.20	23.00
46P	29.05	22.50	27.35	25.70	23.50
47P	29.55	23.00	27.85	26.20	24.00
48P	30.05	23.50	28.35	26.70	24.50
49P	30.55	24.00	28.85	27.20	25.00
50P	31.05	24.50	29.35	27.70	25.50

## 20. Ordering Information:

Part Number: FPC-0.5R-XX-V  
1 2 3

- Note: 1. R=Right side style  
 2. XX=Number of pins, and from 3pin to 50pin are available.  
 3. V=Vertical.