

USB 2.0 CONNECTOR

USB A-TYPE 4 PIN MALE COMMON TYPE

1. Material:

Contacts: Brass
Insulator: PBT+30% G.F. UL 94V-0
Shell: SPCC

2. Environmental:

Temperature: Range -55°C~+85°C

3. Mechanical:

Mating: 35N max.
Withdrawal Force: 10N min.
Durability: 1500 cycles min.

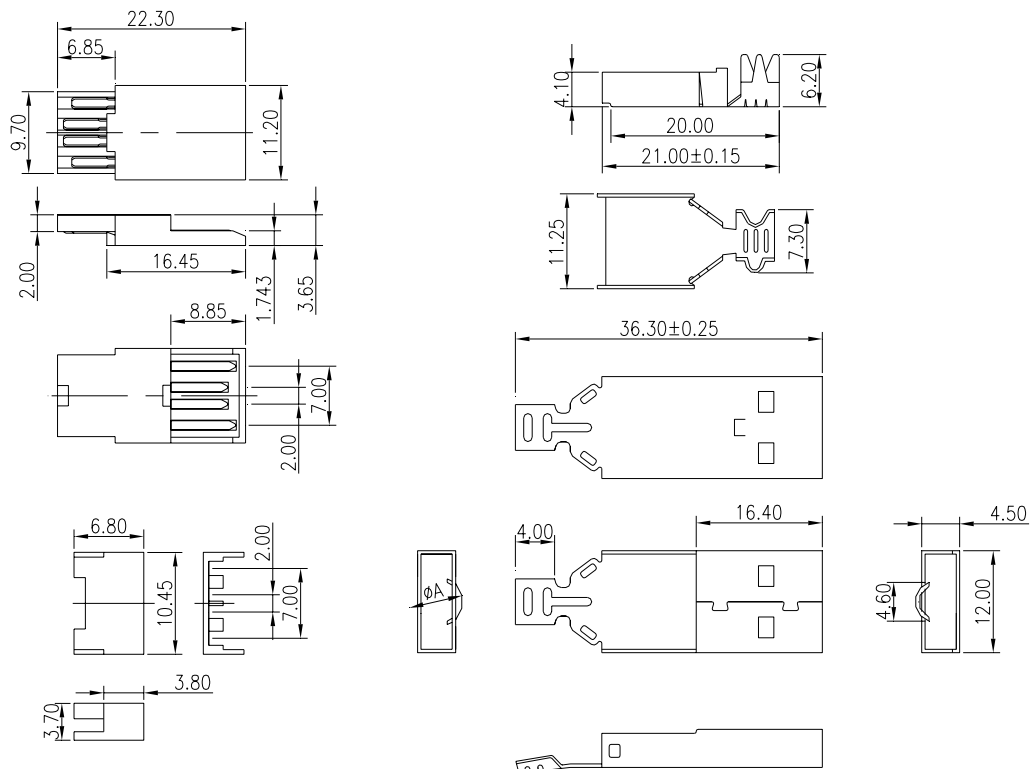
4. Electrical:

Current-max [amps]: 1.5A
Voltage-max [volts]: 30V
Withstanding Voltage: 500V AC
Contact Resistance [ohms]: 30 milliohms max
Insulation Resistance [ohms]: 1000 Megohms min

5. Plating:

Contacts: 30u" Gold and Tin Over Nickel Plated
Shell: Nickel over all plating

6. Product Drawing:



7. Ordering Information:

Part Number: $\frac{A02M}{1} \frac{8}{2} \frac{E}{3} \frac{L}{4} \frac{04}{5} \frac{3}{6} \frac{03}{7}$

Note: 1. A02M: USB A type male series

2. 8: white insulation (may choose other color of insulation)

3. E: gold plated 30u" min. contacts

4. L: nickel plated shell (may choose other plated of shell)

5. 04: pin No.

6. 3: solder type

7. 03: serial No. (It's used to distinguish similar product, from 00 to 99)

